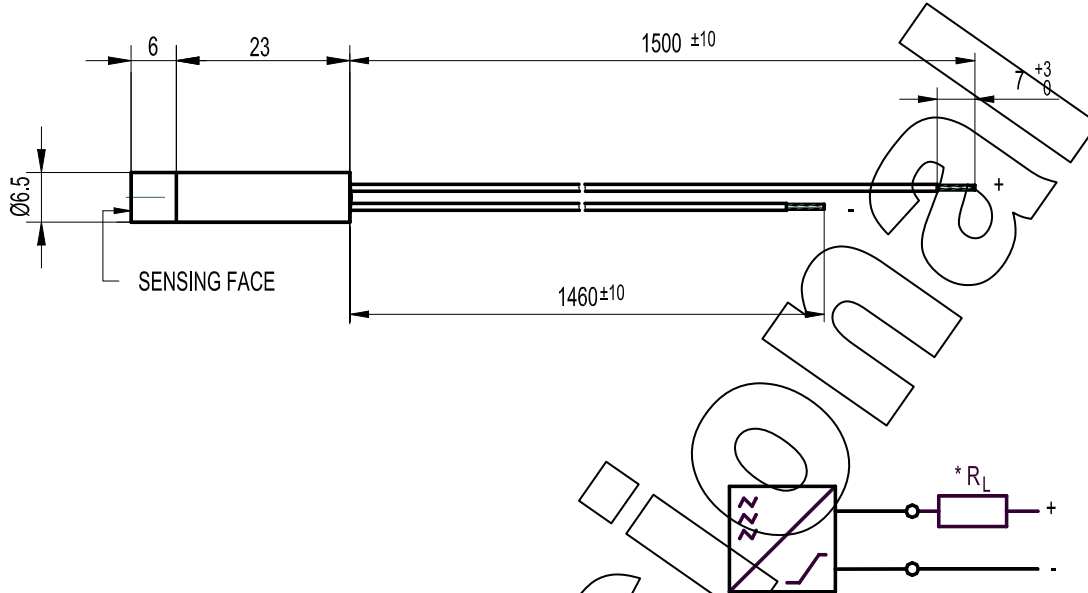


Inductive proximity switch  
 For vacuum applications  
 D6.5 x 29 mm NAMUR  
 ASML 12NC 4022.628.00097

PROX 921AB6.5XIV-Z925  
 IEC-Code: I2B65SD1  
 $s_n = 3.0 \text{ mm}$  / non flush  
 Namur



#### Sensing Data

Effective operating distance $s_r$ (@8.2V/ $R_L=1k\Omega$ )	[mm]	$3.0 \pm 10\%$
Assured operating distance $s_a$ (@8.2V/ $R_L=1k\Omega$ )	[mm]	0...2.5
Nominal switching current (@8.2V/ $R_L=1k\Omega$ )	[mA]	1.65
Differential travel H (@8.2V/ $R_L=1k\Omega$ )	[% of $s_r$ ]	$\leq 5$
Repeat accuracy R	[% of $s_r$ ]	$\leq 3$
Ambient temperature range $T_a$	[°C]	20..25
Temperature drift	[% of $s_r$ ]	$\leq 10$
Frequency of operating cycles f at $U_e$	[Hz]	1000
Function- / supply voltage indication		<input checked="" type="checkbox"/> <input checked="" type="checkbox"/>

#### Electrical Data

Rated operational voltage $U_e$	[VDC]	8.2 DC
Supply voltage $U_b$ incl. ripple	[VDC] [% of $U_e$ ]	5...30DC* $\leq 10$
Rated insulation voltage $U_i$	[VDC]	75DC
Rated supply frequency	[Hz]	DC
No-load supply current $I_o$ at $U_e$ d./und.	[mA]	$\leq 1 / \geq 3$
Protected against polarity reversal		<input checked="" type="checkbox"/>
Rated series resistance (@8.2V)	[ $\Omega$ ]	1000
Allowed series resistance	[ $\Omega$ ]	550...2000

\*  $R_L$  must be adapted in function of the working voltage

Document XXXXXX-126

Name: Di Bernardo, Date: 06.11.2008

Specification subject to change without notice ecn.-no. -,

[www.hytech.ch](http://www.hytech.ch)

Exclusive distributor: Sentech Sensor Technology B.V., Netherlands

[www.sentech.nl](http://www.sentech.nl)

#### Mechanical Data

Housing material		Stainless Steel 1.4404
Torque	[Nm]	-
Material of sensing face		Ceramic (MACOR)
Connection		Hook up wire for vacuum application GSC-01-25484-01 (GORE)
Conductor cross section	[mm <sup>2</sup> ]	0.09
Degree of protection with connector		IP65
Insulation Class		-
Pollution degree		3
Potting material		Tra-Con Tra-Cast 3103

Rated shock: half-sinus, 30gn, 11ms

Rated vibration environment: 55Hz, 1mm amplitude, 3 x 30min



Listed 81U2 IND.CONT.EQ.  
 for use in the secondary of a class 2 source of supply

#### Notes

Bake out possibility at 70°C

Applying "Clean Production" method:

- The complete assembly work is realized by workers using gloves
- All parts were cleaned/washed in Ultrasonic (Safewash)
- The assembly work takes place in a dust-reduced environment
- All drying-cycles were realized in dust-reduced oven
- Products are packed in special dust-free package

embeddable: see installation instruction for inductive sensors with extended sensing distance 825357

Definitions see general catalog

If not otherwise noted, ratings according to IEC 60947-5-2 (EN 60947-5-2)