

Cable-Extension Transducer

- 0-62, 0-125 inch Measurement Range Options
- Precision Potentiometric Output
- M12 Connector

Specification Summary:

GENERAL

Full Stroke Range Options 0-62, 0-125 inches
 Accuracy $\pm 0.50\%$ full stroke
 Repeatability $\pm 0.10\%$ full stroke
 Resolution *essentially infinite*
 Measuring Cable034-inch dia. nylon-coated stainless steel
 Enclosure Material polycarbonate
 Sensor plastic-hybrid precision potentiometer
 Potentiometer Cycle Life 2.5×10^5 cycles
 Maximum Velocity 80 inches (2 meters) per second
 Maximum Retraction Acceleration 10 G
 Weight 2.5 lbs.

ELECTRICAL

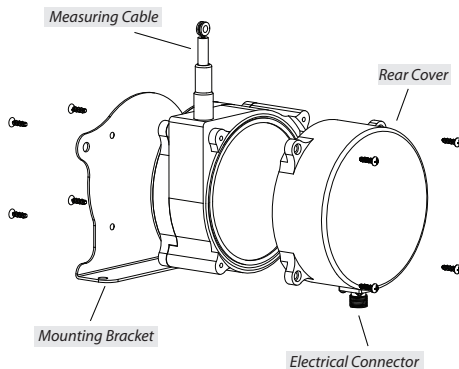
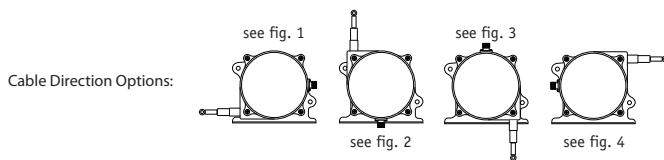
Input Resistance 10K ohms
 Maximum Input Voltage 30 volts AC/DC
 Electrical Connection M12 Connector (mating plug included)

ENVIRONMENTAL

Environmental Suitability NEMA 6, IP 67
 Operating Temperature -40 to 185° F (-40 to 85°C)
 Vibration up to 10 G's to 2000 Hz maximum

Installation and Mounting

The SR1A offers the utmost in mounting flexibility. This sensor can be mounted in just about any direction. The direction of the measuring cable and the location of the connector can easily be changed by the end user. Nothing more than a phillips screwdriver required.



To change measuring cable exit, remove the four screws that attach mounting bracket and rotate to desired position. See figs. 1-4 on the following pages for mounting dimensions.

Electrical connector can also be rotated around to one of 4 different positions. Simply remove the 4 rear cover screws and rotate the cover.

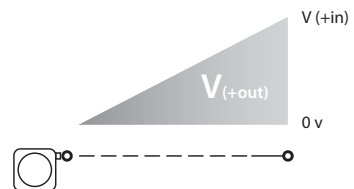
SR1A



SR1A is a rugged, low-cost, high performance string pot built for wet environments and outdoor applications. Originally designed for off-road construction equipment, the SR1A is the perfect low-cost solution for OEM and stocking distributors.

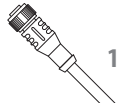
Available in 62-inch and 125-inch stroke ranges, the SR1A is constructed of a rugged polycarbonate enclosure designed to withstand impact from harsh environments and rugged conditions. Each sensor ships with a mating connector and optional cordsets are available.

Output Signal



Ordering Information:

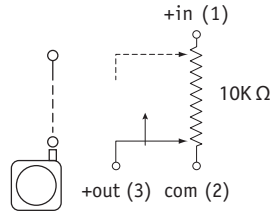
Order Number	stroke range
▪ SR1A-62	62 in.
▪ SR1A-125	125 in.

Optional Cord-Set	order number
 13 ft (4 m)	9036810-0040

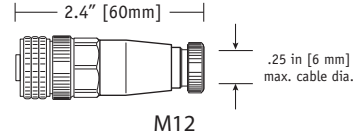
SR1A • Industrial Economical String Pot • Precision Potentiometric Output

Electrical Connection / Schematic

female - contact view	connector pin	cordset colorcode	output signal
	1	brown	+in
	2	white	common
	3	blue	+out
	4	black	n/c



Field Installable Mating Plug (included)



Cordset (optional)

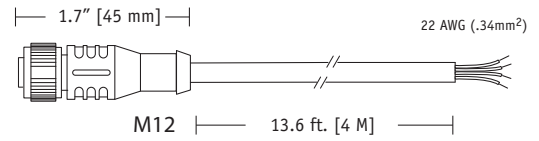
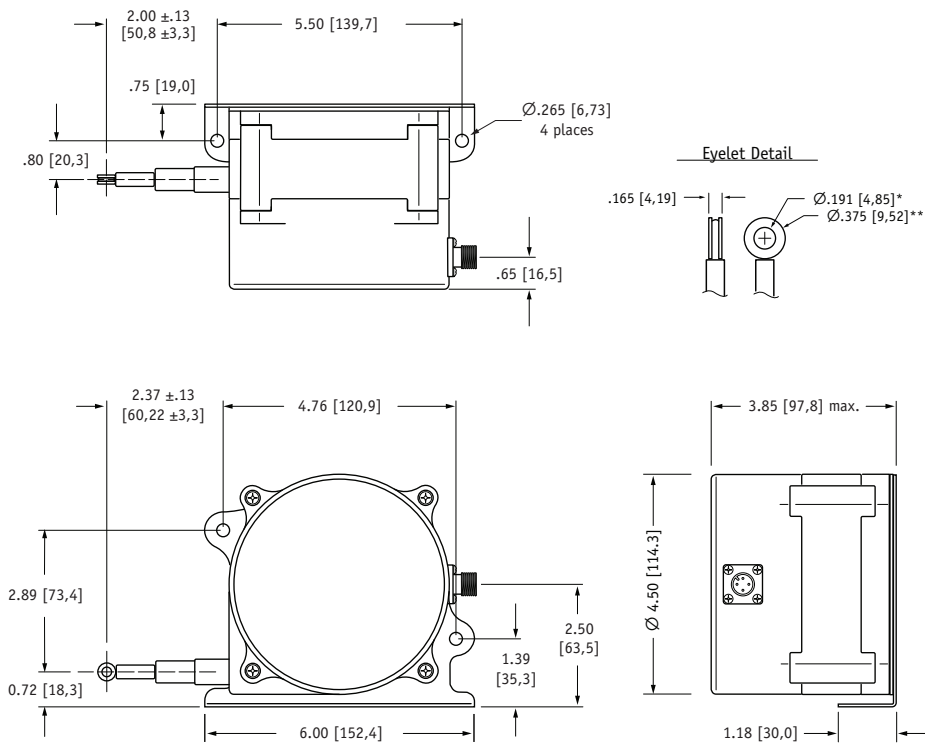


Fig. 1 - Outline Drawing (as shipped)



units are in inches [mm]
tolerances are ± .04 [1,0] unless otherwise noted

* tolerance = +.005 -.001 [+13 -.03]
** tolerance = +.005 -.005 [+13 -.13]

SR1A • Industrial Economical String Pot • Precision Potentiometric Output

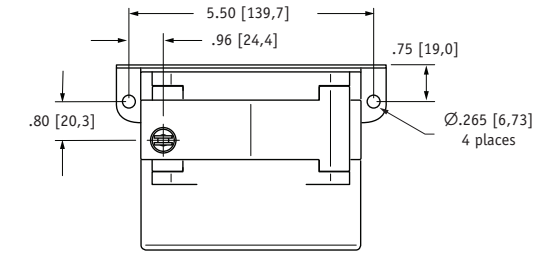


Fig. 2 - "Up" Cable Exit Direction

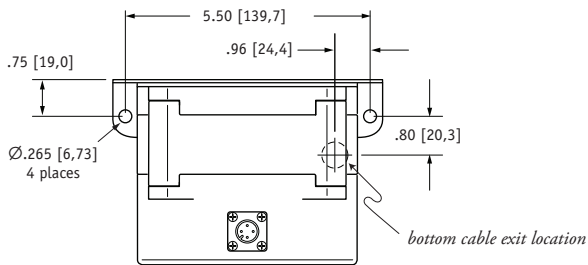
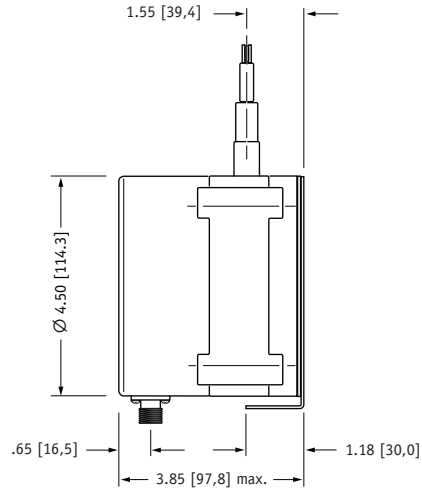
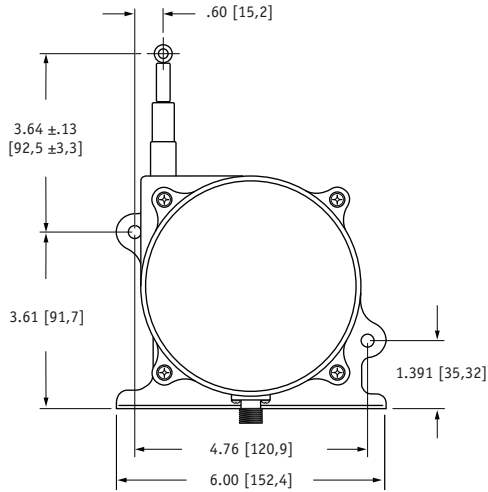


Fig. 3 - "Down" Cable Exit Direction

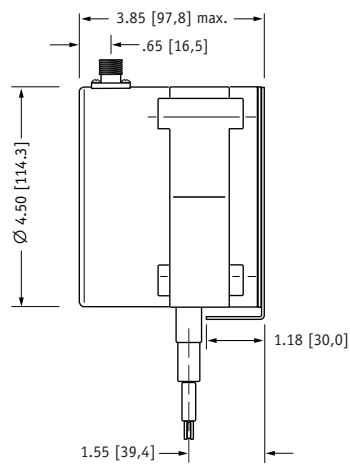
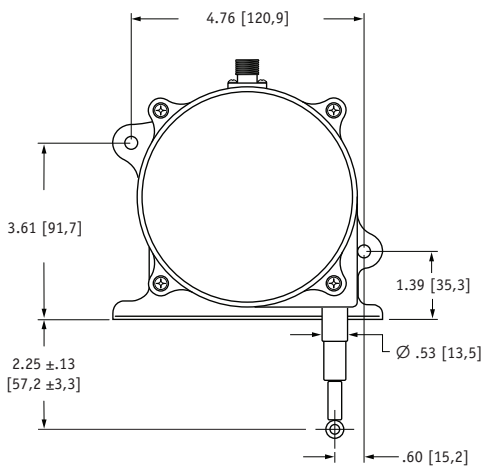


Fig. 3 - "Rear" Cable Exit Direction

